



KUDOS
SHOWERING SOLUTIONS

P R E M I U M
COLLECTION



PREMIUM COLLECTION

K KUDOS

Design and functionality in harmony

The perfect combination of modern, yet sophisticated shower enclosures, the Kudos Premium Collection showcases our most luxurious enclosures.

Whether you're looking for understated elegance or want to make a statement, we have something that will suit every bathroom.

Available to purchase only from the network of Kudos Premium Collection Retailers, the Premium Collection includes the iconic pinnacle8 and the Red Dot Design award winning ultimate10 shower enclosures.



reddot
design award





1000mm x 1000mm quadrant enclosure.

PREMIUM COLLECTION

pinnacle8

collection

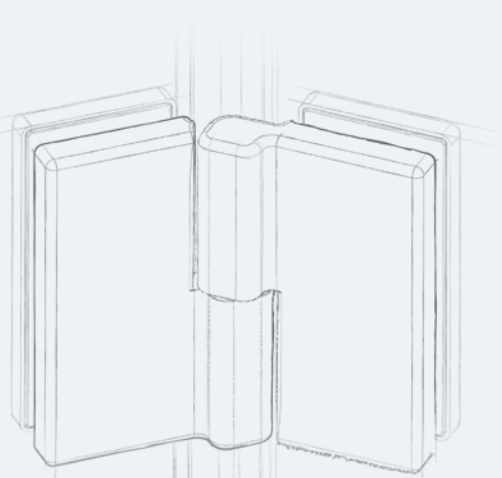
The difference is in the detail

The pinnacle8 range of enclosures represents new heights in shower enclosure design, with selected products now available in a stunning matt black finish, combining our iconic design with timeless elegance.

Characterised by a minimalist cut out finger pull and easy fit wall posts with concealed fixings and featuring crystal clear seals, 8mm toughened safety glass throughout and treated with Lifeshield™ protective coating for easy cleaning.

The pinnacle8 collection features hinged, sliding and centre-fold, quadrant and level access options so there is sure to be a solution to suit you. These stylish minimalist doors are both easy to install and stunning to look at.

All products are 2000mm high and covered by a lifetime guarantee against material or manufacturing defects for your complete peace of mind.



Rise & fall hinge

PREMIUM COLLECTION

pinnacle8

hinged corner doors

The pinnacle8 hinged door is available in either chrome or matt black and in sizes ranging from 760mm to 1500mm. Featuring stylish rise and fall hinges, minimalist design with crystal clear seals, pinnacle8 will enhance any bathroom design.

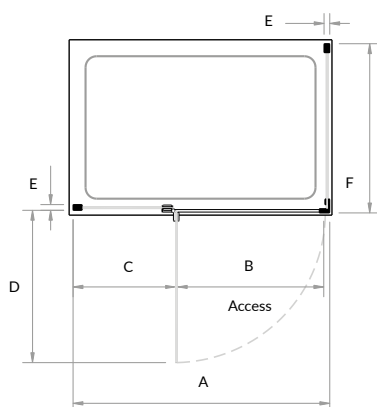
Matt black hinged corner, left handed, on a slate effect connect2 tray.



Features

- + 8mm toughened safety glass
- + 2000mm high
- + Concealed fixings
- + Slimline profile with 20mm wall adjustment
- + Lifeshield™ Glass Protection
- + Crystal clear glass to glass seals
- + Die cast rise and fall hinges
- + Frameless side panels
- + Crystal clear corner seals

Layout



Hinged corner doors are supplied left hand or right hand



Matt black rise and fall hinge

Codes & Dimensions §

Door Size	***Product Code	Dimensions (mm)					
		A	B	C	D	E	F
760mm	P8HC76	730-750	530	168-188	555	26	-
800mm	P8HC80	770-790	570	168-188	595	26	-
900mm	P8HC90	870-890	670	168-188	695	26	-
1000mm	P8HC100	970-990	670	268-288	695	26	-
1100mm	P8HC110	1070-1190	670	368-388	695	26	-
1200mm	P8HC120	1170-1190	670	468-488	695	26	-
1300mm	P8HC130	1270-1290	670	568-588	695	26	-
1400mm	P8HC140	1370-1390	670	668-688	695	26	-
1500mm	P8HC150	1470-1490	670	768-788	695	26	-

Side Panels

700 mm	P8HC2SP70	-	-	-	-	26	670-690
760 mm	P8HC2SP76	-	-	-	-	26	730-750
800 mm	P8HC2SP80	-	-	-	-	26	770-790
900 mm	P8HC2SP90	-	-	-	-	26	870-890
1000 mm	P8HC2SP100	-	-	-	-	26	970-990
1200 mm	P8HC2SP120	-	-	-	-	26	1170-1190

***Please add **L** or **R** to the product code to indicate left or right handed door.
When ordering matt black please add **MBK** to product codes

§ **N.B** Hinged Doors for Recess and Corner are not interchangeable

Optional Items

Product	***Product Code
*Angled Stabilising Bracket for Doors (1000 & 1100mm)	P8SB22
*Angled Stabilising Bracket for Doors 1200mm+	P8SB32
**Retro Fit Handle	P8RH
† 10mm Extension Post	P8SOS

* An optional angled stabilising bracket is available for larger doors if additional stability is required.

**An optional handle is available if required.

Both angled bracket and handle can be retro fitted and only need to be purchased if preferred.

† All doors and side panels can be extended in 10mm increments with an extension post (to a maximum of 20mm/ 2 posts per fixed panel side only)

PREMIUM COLLECTION

pinnacle8

hinged recess doors

The pinnacle8 hinged door is available in either chrome or matt black and in sizes ranging from 760mm to 1500mm. Featuring stylish rise and fall hinges, minimalist design with crystal clear seals, pinnacle8 will enhance any bathroom design.

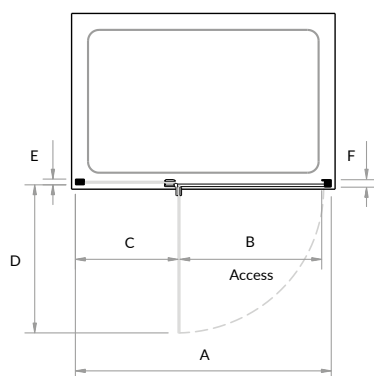
Chrome recess right hand hinged door on a connect2 tray.



Features

- + 8mm toughened safety glass
- + 2000mm high
- + Concealed fixings
- + Slimline profile with 20mm wall adjustment
- + Lifeshield™ Glass Protection
- + Crystal clear glass to glass seals
- + Die cast rise and fall hinges
- + Crystal clear corner seals

Layout



Hinged recess doors are supplied left hand or right hand



Retro fit handle

Codes & Dimensions §

Door Size	***Product Code	Dimensions (mm)					
		A	B	C	D	E	F
760mm	P8HR76	725-765	505	168-188	534	26	34
800mm	P8HR80	765-805	545	168-188	574	26	34
900mm	P8HR90	865-905	645	168-188	674	26	34
1000mm	P8HR100	965-1005	645	268-288	674	26	34
1100mm	P8HR110	1065-1105	645	368-388	674	26	34
1200mm	P8HR120	1165-1205	645	468-488	674	26	34
1300mm	P8HR130	1265-1305	645	568-588	674	26	34
1400mm	P8HR140	1365-1405	645	668-688	674	26	34
1500mm	P8HR150	1465-1505	645	768-788	674	26	34

***Please add **L or R** to the product code to indicate left or right handed door.

When ordering matt black please add **MBK** to product codes

§ **N.B** Hinged Doors for Recess and Corner are not interchangeable

Optional Items

Product	***Product Code
*Angled Stabilising Bracket for Doors (1000 & 1100mm)	P8SB22
*Angled Stabilising Bracket for Doors 1200mm+	P8SB32
**Retro Fit Handle	P8RH
† 10mm Extension Post	P8SOS

* An optional angled stabilising bracket is available for larger doors if additional stability is required.

**An optional handle is available if required.

Both angled bracket and handle can be retro fitted and only need to be purchased if preferred.

† All doors and side panels can be extended in 10mm increments with an extension post (to a maximum of 20mm/ 2 posts per fixed panel side only)

PREMIUM COLLECTION

pinnacle8

straight sliding corner doors

Available in chrome and matt black the pinnacle8 sliding corner door is available in sizes ranging from 1000mm-1800mm, with side panels ranging from 700mm to 1200mm perfect for the medium to large showering space. Semi-frameless with crystal clear seals these minimalist doors give an illusion of endless space.

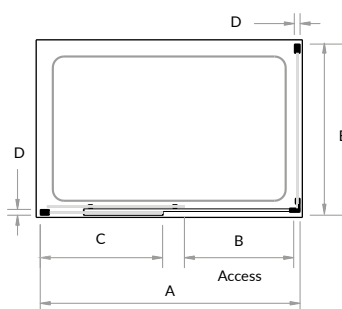
1200mm corner straight sliding door



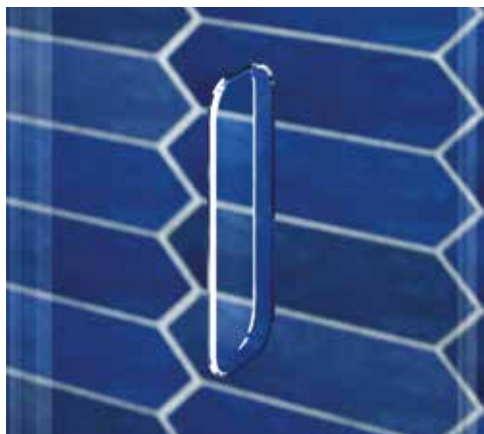
Features

- + 8mm toughened safety glass
- + 2000mm high
- + Concealed fixings
- + Slimline profile with 20mm wall adjustment
- + Lifeshield™ Glass Protection
- + Crystal clear glass to glass seals
- + Twin Rollers with stainless steel bearings
- + Crystal clear corner seals

Layout



Straight sliding corner doors can be fitted to open either to the left or right by rotating the enclosure 180°



Minimalist finger pull

Codes & Dimensions §

Door Size	***Product Code	Dimensions (mm)				
		A	B	C	D	E
1000mm	P8SC100	970-990	400	452-472	26	-
1100mm	P8SC110	1070-1090	400	552-572	26	-
1200mm	P8SC120	1170-1190	500	552-572	26	-
1400mm	P8SC140	1370-1390	600	652-672	26	-
1500mm	P8SC150	1470-1490	600	752-772	26	-
1600mm	P8SC160	1570-1590	600	852-872	26	-
1700mm	P8SC170	1670-1690	600	952-972	26	-
1800mm	P8SC180	1770-1790	600	1052-1072	26	-

Side Panels

700mm	P8SC2SP70	-	-	-	26	670-690
760mm	P8SC2SP76	-	-	-	26	730-750
800mm	P8SC2SP80	-	-	-	26	770-790
900mm	P8SC2SP90	-	-	-	26	870-890
1000mm	P8SC2SP100	-	-	-	26	970-990
1200mm	P8SC2SP120	-	-	-	26	1170-1190

***When ordering matt black please add **MBK** to product codes

§ **N.B** Hinged Doors for Recess and Corner are not interchangeable

Optional Items

Product	***Product Code
*Angled Stabilising Bracket for Doors (1000 & 1100mm)	P8SB22
*Angled Stabilising Bracket for Doors 1200mm+	P8SB32
**Retro Fit Handle	P8RH
† 10mm Extension Post	P8SOS

* An optional angled stabilising bracket is available for larger doors if additional stability is required.

**An optional handle is available if required.

Both angled bracket and handle can be retro fitted and only need to be purchased if preferred.

† All doors and side panels can be extended in 10mm increments with an extension post (to a maximum of 20mm/ 2 posts per fixed panel side only)

PREMIUM COLLECTION

pinnacle8

straight sliding recess doors

Available in chrome and matt black the pinnacle8 sliding recess door is available in sizes ranging from 1000mm-1800mm, with side panels ranging from 700mm to 1200mm perfect for the medium to large showering space. Semi-frameless with crystal clear seals these minimalist doors give an illusion of endless space.

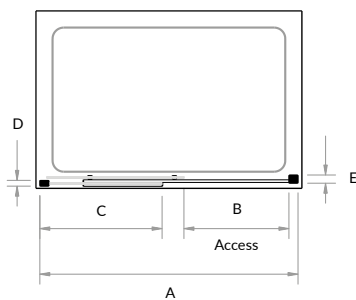
1200mm recess straight sliding door



Features

- + 8mm toughened safety glass
- + 2000mm high
- + Concealed fixings
- + Slimline profile with 20mm wall adjustment
- + Lifeshield™ Glass Protection
- + Crystal clear glass to glass seals
- + Twin Rollers with stainless steel bearings
- + Crystal clear corner seals

Layout



Straight sliding corner doors can be fitted to open either to the left or right by rotating the enclosure 180°

Codes & Dimensions §

Door Size	***Product Code	Dimensions (mm)				
		A	B	C	D	E
1000mm	P8SR100	965-1005	375-395	452-472	26	37
1100mm	P8SR110	1065-1105	375-395	552-572	26	37
1200mm	P8SR120	1165-1205	475-495	552-572	26	37
1400mm	P8SR140	1365-1405	575-595	652-672	26	37
1500mm	P8SR150	1465-1505	575-595	752-772	26	37
1600mm	P8SR160	1565-1605	575-595	852-872	26	37
1700mm	P8SR170	1665-1705	575-595	952-972	26	37
1800mm	P8SR180	1765-1805	575-595	1052-1072	26	37

***When ordering matt black please add **MBK** to product codes

§ **N.B** Sliding doors for Recess and Corner are not interchangeable

Optional Items

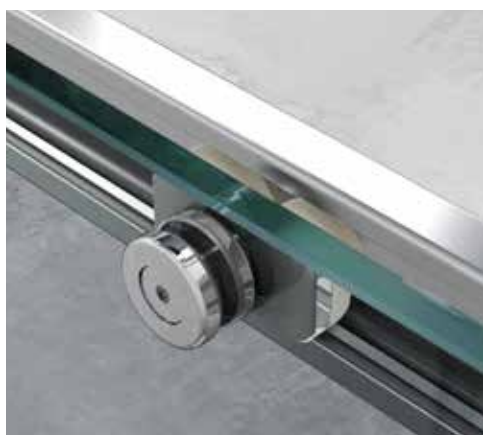
Product	***Product Code
*Angled Stabilising Bracket for Doors (1000 & 1100mm)	P8SB22
*Angled Stabilising Bracket for Doors 1200mm+	P8SB32
**Retro Fit Handle	P8RH
† 10mm Extension Post	P8SOS

* An optional angled stabilising bracket is available for larger doors if additional stability is required.

**An optional handle is available if required.

Both angled bracket and handle can be retro fitted and only need to be purchased if preferred.

† All doors and side panels can be extended in 10mm increments with an extension post (to a maximum of 20mm/ 2 posts per fixed panel side only)



Door twin rollers

PREMIUM COLLECTION

pinnacle**8**

centre folding doors

The space saving centre-folding door, available in sizes ranging from 800mm to 1000mm is just perfect for the small to medium showering space. With a hidden door mechanism, concealed magnets and crystal clear seals you have an uninterrupted glass door with a positive closing action.

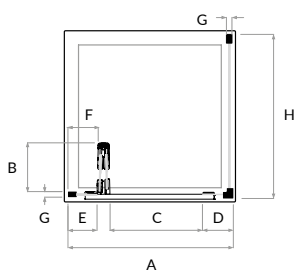
Corner centre folding enclosure



Features

- + 8mm toughened safety glass
- + 2000mm high
- + Concealed fixings
- + Slimline profile with 20mm wall adjustment
- + Lifeshield™ Glass Protection
- + Crystal clear glass to glass seals
- + Twin Rollers with stainless steel bearings
- + Crystal clear corner seals

Layout



All doors suitable for corner or recess fixing

Codes & Dimensions

Door Size	Product Code	Adjustments (mm)		Dimensions (mm)					
		*RECESS	*CORNER	B	C	D	E	F	G
		A	A						
800mm	P8CF80	765-805	770-790	230	440	145	140	140	26
900mm	P8CF90	865-905	870-890	255	490	170	175	160	26
1000mm	P8CF100	965-1005	970-990	305	590	170	175	160	26

*Recess Measurement (Door only). *Corner Measurement (Door + 1 Panel).

Side Panels

Door Size	Product Code	Product Code	
		G	H
800mm	P8CF2SP80	26	770-790
900mm	P8CF2SP90	26	870-890
1000mm	P8CF2SP100	26	970-990
1200mm	P8CF2SP120	26	1170-1190

Optional Items

Product	Product Code
**Retro Fit Handle	P8RHCF
† 10mm Extension Post	P8SOS

**An optional handle is available if required.

† All doors and side panels can be extended in 10mm increments with an extension post (to a maximum of 20mm/ 2 posts per fixed panel side only)



Concealed folding mechanism.

PREMIUM COLLECTION

pinnacle8

quadrant doors

Surround yourself with a panoramic seamless expanse of glass.

The semi-frameless pinnacle8 Quadrant and Offset Quadrant features uninterrupted glass from wall to wall with its crystal clear seals and unique finger pull.

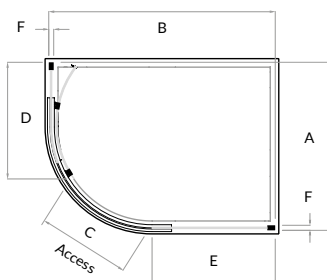
1200mm x 900mm Offset quadrant enclosure



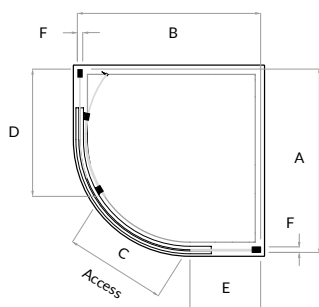
Features

- + 8mm toughened safety glass
- + 2000mm high
- + Concealed fixings
- + Slimline profile with 20mm wall adjustment
- + Lifeshield™ Glass Protection
- + Crystal clear glass to glass seals
- + Twin Rollers with stainless steel bearings and dynamic adjustment
- + Semi-frameless panels
- + Die cast bottom guides

Offset Quad Layout



Quad Layout



Quadrant doors can be fitted either to open to the left or right



Twin rollers with stainless steel bearings

Codes & Dimensions

Door Size	***Product Code	Adjustments (mm)		Dimensions (mm)			
		A	B	C	D	E	F
900 x 900mm	P8Q90	865-885	865-885	470	600-620	335-355	26
1000 x 1000mm	P8Q100	965-985	965-985	470	700-720	435-455	26
900 x 800mm	P8Q9080	865-885	765-785	470	600-620	235-255	26
1000 x 800mm	P8Q1080	965-985	765-785	470	700-720	235-255	26
1000 x 900mm	P8Q1090	965-985	865-885	470	600-620	435-455	26
1200 x 800mm	P8Q1280	765-785	1165-1185	470	900-920	235-255	26
1200 x 900mm	P8Q129	865-885	1165-1185	470	600-620	635-655	26

***When ordering matt black please add **MBK** to product codes

Optional Items

Product	***Product Code
*Angled Stabilising Bracket for Doors (1000 & 1100mm)	P8SB22
*Angled Stabilising Bracket for Doors 1200mm+	P8SB32
**Retro Fit Handle	P8RH
† 10mm Extension Post	P8SOS

* An optional angled stabilising bracket is available for larger doors if additional stability is required.

**An optional handle is available if required.

Both angled bracket and handle can be retro fitted and only need to be purchased if preferred.

† All doors and side panels can be extended in 10mm increments with an extension post (to a maximum of 20mm/ 2 posts per fixed panel side only)



Chrome right hand 1200mm corner sliding door.

PREMIUM COLLECTION

pinnacle8

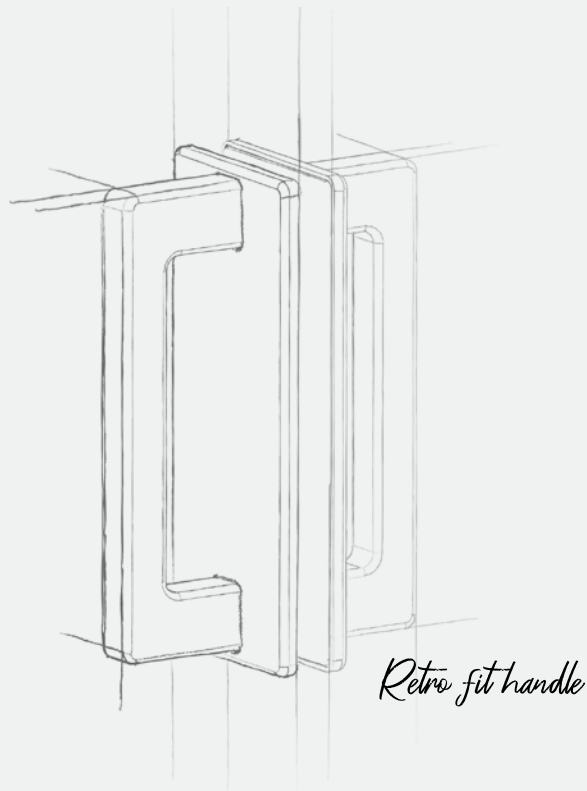
level access collection

A reputation for superb engineering

The stunning pinnacle8 level access enclosures are frameless and will maximise both space and light in any bathroom. Removing the frame from the enclosures provides the end user with level access to their showering space. Perfect for multi-generational households.

The level access range is available in hinged, sliding and hinged quadrant options and in chrome, matt black and brushed brass finishes.

All products are 2000mm high and feature 8mm toughened safety glass throughout and are treated with lifeshield protective coating for easy cleaning.



PREMIUM COLLECTION

pinnacle8

level access hinged corner doors

The pinnacle8 level access hinged door is available in sizes ranging from 800mm to 1200mm with side panels from 700mm to 1200mm. Stylish rise and fall hinges, minimalist frameless design with crystal clear seals, pinnacle8 will enhance any bathroom design.

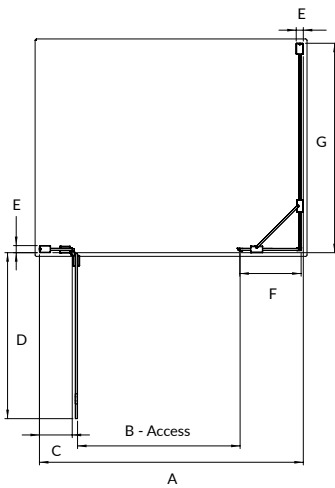
Level access right hand matt black hinged corner enclosure



Features

- + 8mm toughened safety glass
- + 2000mm high
- + Level access
- + Slimline profile with 20mm wall adjustment
- + Lifeshield™ Glass Protection
- + Crystal clear glass to glass seals
- + Die cast rise and fall hinges
- + Frameless side panels
- + Crystal clear corner seals
- + Optional retro fit handle

Layout



Hinged corner doors are supplied left hand or right hand



Minimalist finger pull

Codes & Dimensions §

Door Size	***Product Code	Dimensions (mm)						
		A	B	C	D	E	F	G
800mm	P8FH80L	770-790	500	120-140	509	26	125	
800mm	P8FH80R	770-790	500	120-140	509	26	125	
900mm	P8FH90L	870-890	600	120-140	609	26	125	
900mm	P8FH90R	870-890	600	120-140	609	26	125	
1000mm	P8FH100L	970-990	600	120-140	609	26	225	
1000mm	P8FH100R	970-990	600	120-140	609	26	225	
1100mm	P8HF110L	1070-1100	600	120-140	609	26	325	
1100mm	P8HF110R	1070-1100	600	120-140	609	26	325	
1200mm	P8HF120L	1170-1190	600	120-140	609	26	425	
1200mm	P8HF120R	1170-1190	600	120-140	609	26	425	

Side Panels

700 mm	P8FHSP70	-	-	-	-	26	-	670-690
760 mm	P8FHSP76	-	-	-	-	26	-	730-750
800 mm	P8FHSP80	-	-	-	-	26	-	770-790
900 mm	P8FHSP90	-	-	-	-	26	-	870-890
1000 mm	P8FHSP100	-	-	-	-	26	-	970-990
1200 mm	P8FHSP120	-	-	-	-	26	-	1170-1190

*** When ordering matt black add **MBK** and brushed brass please add **BRG** to the product codes

§ **N.B** Hinged Doors for Recess and Corner are interchangeable

Optional Items

Product	***Product Code
**Retro Fit Handle	P8RH
*Angled Stabilising Bracket for Doors	P8SB32
† 10mm Extension Post	P8SOS

* Angled stabilising bracket is required for additional stability for doors 1000mm and over.

**An optional handle is available if required.

Both angled bracket and handle can be retro fitted and only need to be purchased if preferred.

† All doors and side panels can be extended in 10mm increments with an extension post (to a maximum of 20mm/ 2 posts per fixed panel side only)

*** When ordering matt black add **MBK** and brushed brass please add **BRG** to the product codes

PREMIUM COLLECTION

pinnacle8

level access hinged recess doors

The pinnacle8 level access hinged door is available in sizes ranging from 800mm to 1200mm. Stylish rise and fall hinges, minimalist frameless design with crystal clear seals, pinnacle8 will enhance any bathroom design.

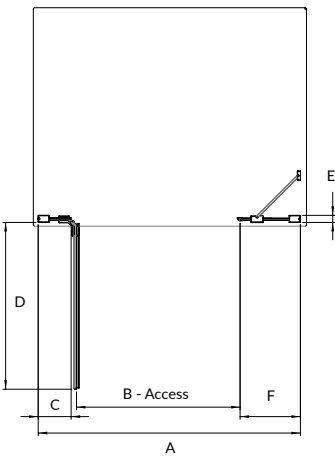
Chrome hinged recess, left handed, on a connect2 tray.



Features

- + 8mm toughened safety glass
- + 2000mm high
- + Level access
- + Slimline profile with 20mm wall adjustment
- + Lifeshield™ Glass Protection
- + Crystal clear glass to glass seals
- + Die cast rise and fall hinges
- + Frameless side panels
- + Optional retro fit handle

Layout



Hinged recess doors are supplied left hand or right hand



Die cast rise and fall hinge

Codes & Dimensions §

Door Size	***Product Code	Dimensions (mm)						
		A	B	C	D	E	F	G
800mm	P8FH80L	770-790	500	120-140	509	26	125	
800mm	P8FH80R	770-790	500	120-140	509	26	125	
900mm	P8FH90L	870-890	600	120-140	609	26	125	
900mm	P8FH90R	870-890	600	120-140	609	26	125	
1000mm	P8FH100L	970-990	600	120-140	609	26	225	
1000mm	P8FH100R	970-990	600	120-140	609	26	225	
1100mm	P8HF110L	1070-1100	600	120-140	609	26	325	
1100mm	P8FH110R	1070-1100	600	120-140	609	26	325	
1200mm	P8HF120L	1170-1190	600	120-140	609	26	425	
1200mm	P8FH120R	1170-1190	600	120-140	609	26	425	

*** When ordering matt black add **MBK** and brushed brass please add **BRG** to the product codes

§ **N.B** Hinged Doors for Recess and Corner are interchangeable

Optional Items

Product	***Product Code
**Retro Fit Handle	P8RH
*Angled Stabilising Bracket for Doors	P8SB32
† 10mm Extension Post	P8SOS

* Angled stabilising bracket is required for additional stability for doors 1000mm and over.

**An optional handle is available if required.

Both angled bracket and handle can be retro fitted and only need to be purchased if preferred.

† All doors and side panels can be extended in 10mm increments with an extension post (to a maximum of 20mm/ 2 posts per fixed panel side only)

*** When ordering matt black add **MBK** and brushed brass please add **BRG** to the product codes

PREMIUM COLLECTION

pinnacle8

level access straight sliding corner doors

Featuring chrome, matt black or brushed brass finishes the pinnacle8 level access sliding door is available in sizes ranging from 1200mm - 1500mm, perfect for the medium to large showering space.

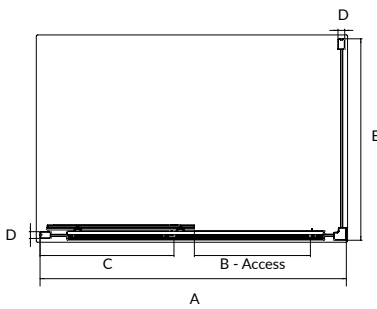
Chrome 1200mm right handed corner sliding door



Features

- + 8mm toughened safety glass
- + 2000mm high
- + Concealed fixings
- + Level access
- + Slimline profile with 20mm wall adjustment
- + Lifeshield™ Glass Protection
- + Crystal clear glass to glass seals
- + Twin Rollers with stainless steel bearings
- + Crystal clear corner seals

Layout



Level access sliding doors are supplied left or right handed



Crystal clear glass to glass corner seals

Codes & Dimensions §

Door Size	***Product Code	Dimensions (mm)				
		A	B	C	D	E
1200mm	P8FS120	1180-1200	450	515	26	-
1300mm	P8FS130	1280-1300	450	615	26	-
1400mm	P8FS140	1380-1400	550	615	26	-
1500mm	P8FS150	1480-1500	550	715	26	-

Side Panels

700mm	P8FPSP70	-	-	-	26	670-690
760mm	P8FPSP76	-	-	-	26	730-750
800mm	P8FPSP80	-	-	-	26	770-790
900mm	P8FPSP90	-	-	-	26	870-890
1000mm	P8FPSP100	-	-	-	26	970-990
1200mm	P8FPSP120	-	-	-	26	1170-1190

***Please add **L** or **R** to the product code to indicate left or right handed door.

*** When ordering matt black add **MBK** and brushed brass please add **BRG** to the product codes

§ **N.B** Sliding Doors for Recess and Corner are interchangeable

Optional Items

Product	***Product Code
**Retro Fit Handle	P8RH
*Angled Stabilising Bracket for Doors	P8SB32
† 10mm Extension Post	P8SOS

* Angled stabilising bracket is required for additional stability.

**An optional handle is available if required.

Both angled bracket and handle can be retro fitted and only need to be purchased if preferred.

† All doors and side panels can be extended in 10mm increments with an extension post (to a maximum of 20mm/ 2 posts per fixed panel side only)

*** When ordering matt black add **MBK** and brushed brass please add **BRG** to the product codes

PREMIUM COLLECTION

pinnacle8

level access straight sliding recess doors

Featuring chrome, matt black or brushed brass finishes the pinnacle8 level access sliding door is available in sizes ranging from 1200mm - 1500mm, perfect for the medium to large showering space.

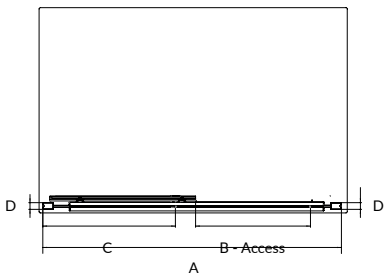
Brushed brass right hand 1200mm recess sliding door



Features

- + 8mm toughened safety glass
- + 2000mm high
- + Concealed fixings
- + Level access
- + Slimline profile with 20mm wall adjustment
- + Lifeshield™ Glass Protection
- + Crystal clear glass to glass seals
- + Twin Rollers with stainless steel bearings
- + Crystal clear corner seals

Layout



Level access sliding doors are supplied left or right handed



Brushed brass retro fit handle

Codes & Dimensions §

Door Size	***Product Code	Dimensions (mm)			
		A	B	C	D
1200mm	P8FS120	1165-1205	450	515	26
1300mm	P8FS130	1265-1305	450	615	26
1400mm	P8FS140	1365-1405	550	615	26
1500mm	P8FS150	1465-1505	550	715	26

***Please add **L** or **R** to the product code to indicate left or right handed door.

*** When ordering matt black add **MBK** and brushed brass please add **BRG** to the product codes

§ **N.B** Sliding Doors for Recess and Corner are interchangeable

Optional Items

Product	***Product Code
**Retro Fit Handle	P8RH
*Angled Stabilising Bracket for Doors	P8SB32
† 10mm Extension Post	P8SOS

* Angled stabilising bracket is required for additional stability.

**An optional handle is available if required.

Both angled bracket and handle can be retro fitted and only need to be purchased if preferred.

† All doors and side panels can be extended in 10mm increments with an extension post (to a maximum of 20mm/ 2 posts per fixed panel side only)

*** When ordering matt black add **MBK** and brushed brass please add **BRG** to the product codes

PREMIUM COLLECTION

pinnacle8

level access quadrant doors

The pinnacle8 level access hinged quadrant and offset quadrant doors are simply stunning and will enhance any bathroom. Featuring stylish rise and fall hinges, these enclosures offer the perfect solution to those looking to future proof their bathroom space.

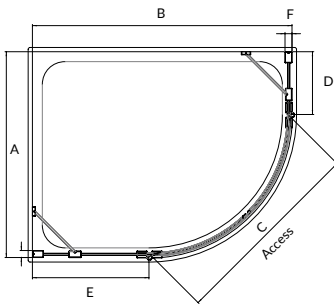
Level access offset quad on an aqua4ma linear deck.



Features

- + 8mm toughened safety glass
- + 2000mm high
- + Concealed fixings
- + Level access
- + Slimline profile with 20mm wall adjustment
- + Lifeshield™ Glass Protection
- + Crystal clear glass to glass seals
- + Die cast rise and fall hinges

Layout



Codes & Dimensions §

Door Size	***Product Code	Adjustments (mm)		Dimensions (mm)			
		A	B	C	D	E	F
900 x 900mm	P8FHQ90	865-885	865-885	730	333	333	26
1000 x 1000mm	P8FHQ100	965-985	965-985	730	433	433	26
900 x 800mm (LH)	P8FHQ9080L	865-885	765-785	730	233	233	26
900 x 800mm (RH)	P8FHQ9080R	765-785	865-885	730	233	333	26
1000 x 800mm (LH)	P8FHQ1080L	965-985	765-785	730	333	233	26
1000 x 800mm (RH)	P8FHQ1080R	765-785	965-985	730	433	233	26
1000 x 900mm (LH)	P8FHQ1090L	965-985	865-885	730	233	433	26
1000 x 900mm (RH)	P8FHQ1090R	865-885	965-985	730	333	433	26
1200 x 800mm (LH)	P8FHQ1280L	1165-1185	765-785	730	633	233	26
1200 x 800mm (RH)	P8FHQ1280R	765-785	1165-1185	730	233	633	26
1200 x 900mm (LH)	P8FHQ129L	1165-1185	865-885	730	633	333	26
1200 x 900mm (RH)	P8FHQ129R	865-885	1165-1185	730	333	633	26

*** When ordering matt black add **MBK** and brushed brass please add **BRG** to the product codes

Optional Items

Product	***Product Code
**Retro Fit Handle	P8RH
† 10mm Extension Post	P8SOS

**An optional handle is available if required.

† All doors and side panels can be extended in 10mm increments with an extension post (to a maximum of 20mm/ 2 posts per fixed panel side only)

*** When ordering matt black add **MBK** and brushed brass please add **BRG** to the product codes



Chrome rise and fall hinge



Brushed brass off panel corner enclosure

PREMIUM COLLECTION

ultimate10

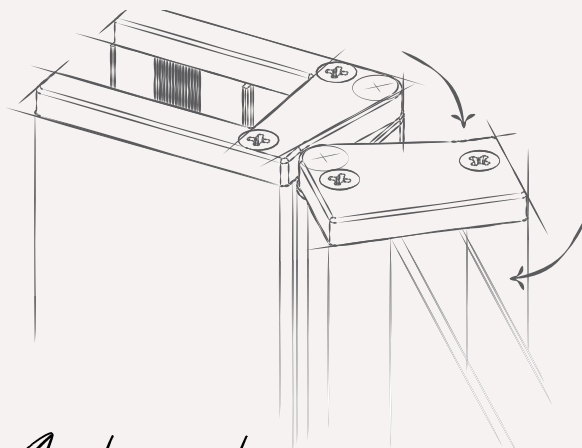
collection

Award winning enclosures

The award winning ultimate10 enclosure is a revolution in both functionality and versatility. Designed with UK bathrooms in mind, this stunning enclosure features a double action hinge which allows the door to open 90 degrees both inward and outward, giving the bather the option to open the enclosure inwards and still be able to exit the shower enclosure whilst also being able to easily reach the towel from the integrated rail.

Features

- + 10mm toughened safety glass
- + 1985mm tall (inc. fixings)
- + Award winning in/out hinge mechanism
- + Frameless design
- + Available in 9 colour finishes
- + Made in Britain
- + Lifetime guarantee
- + Integrated towel rail
- + Compatible with ultimate 10mm wet-room panels
- + Lifeshield Protection for easy cleaning
- + Can be installed either left or right handed



Award winning hinge





Stylish integrated towel rail

A space saving, stylish, addition to your shower enclosure. The integrated towel rail is colour coded to match the enclosure.

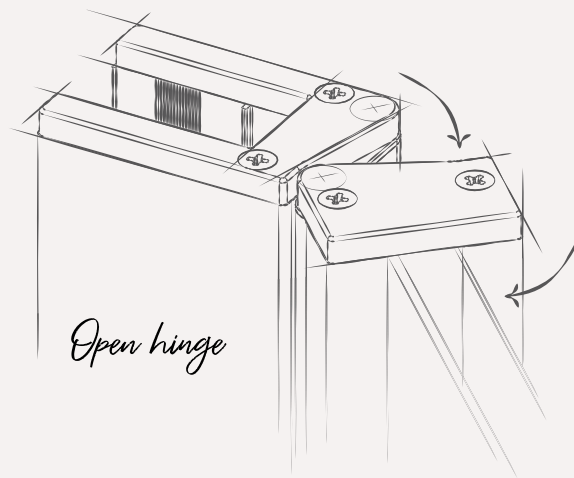
Award winning unique hinge

Our ultimate10 enclosure features a Red Dot Award winning double action hinge, this unique pivot mechanism allows the door to open both inwards and outwards.



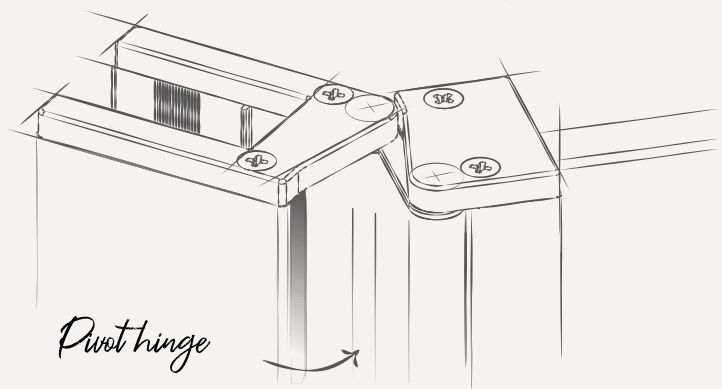
Hinge mechanism

Our ultimate10 enclosure features a Red Dot Award winning double action hinge, this unique pivot mechanism allows the door to open both inwards and outwards.



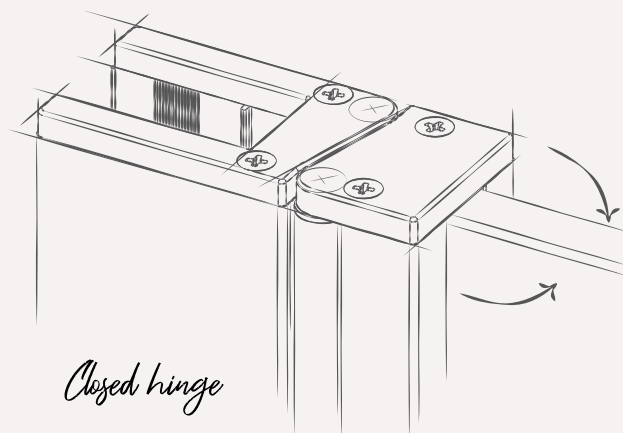
Quadruple magnets

One pair of magnets will always be active, force applied to the door will release and then attract the magnet pairs.



Completely watertight

The overlapping aluminium profiles alongside the two pairs of active magnets within the mechanism means that water is unable to pass through.



PREMIUM COLLECTION

ultimate10

off wall corner shower enclosures



Scan The QR Code
To See The Configurations Guide

Versatility is key, our unique system means that the ultimate10 door can be configured to pivot either directly from the wall post or from a glass panel and can be installed to fit either on a shower tray or wet-room floor.

The ultimate10 off wall corner door is available in two sizes, 600mm or 800mm, and can be used alongside ultimate 10mm wet room panels to create stunning enclosures.

Chrome pivot off wall corner enclosure with front panel fixing kit.



Features

- + 10mm toughened safety glass
- + 1985mm tall (inc. fixings)
- + Award winning in/out hinge mechanism
- + Frameless design
- + Available in 9 colour finishes
- + Made in Britain
- + Lifetime guarantee
- + Integrated towel rail
- + Compatible with ultimate 10mm wet-room panels
- + Lifeshield protection for easy cleaning
- + Can be installed either left or right handed

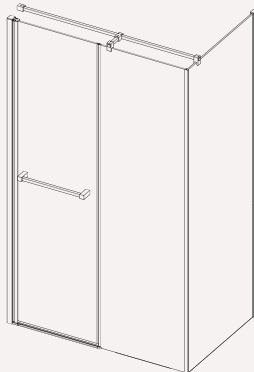
Versatility is key

Our unique system means that the door can be configured to pivot either directly from the wall post or from a glass panel and can be installed to fit either on a shower tray or a wet room floor.

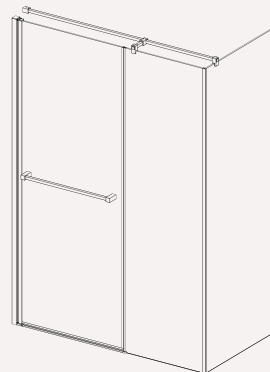


Brushed brass pivot off wall corner enclosure

Recommended Configurations



Corner configuration (600mm Door)



Corner configuration (800mm Door)

Door Options

Door Sizes	Chrome Product Code	Matt Black Product Code	Brushed Brass Product Code
600mm Off Wall Pivot Door	10PVW	10PVWMBK	10PVWBRG
800mm Off Wall Pivot Door	10PVW2	10PVW2MBK	10PVW2BRG

Glass Panel Options

*Panel Sizes	Product Code	*Panel Sizes	Product Code
200mm Glass Panel	10WP200	800mm Glass Panel	10WP800
300mm Glass Panel	10WP300	900mm Glass Panel	10WP900
400mm Glass Panel	10WP400	1000mm Glass Panel	10WP1000
500mm Glass Panel	10WP500	1100mm Glass Panel	10WP1100
600mm Glass Panel	10WP600	1200mm Glass Panel	10WP1200
700mm Glass Panel	10WP700	1400mm Glass Panel	10WP1400
760mm Glass Panel	10WP760		

*Sizes shown are nominal. All panels are undersized by 45mm to allow for tiling when fitting to shower trays.

**Stabilising Bars & Wall Posts

Product	Chrome Product Code	Matt Black Product Code	Brushed Brass Product Code
Front panel fixing kit (1000mm)	10WPFPFK	10WPFPFKMBK	10WPFPFKBRG
Front panel fixing kit (1500mm)	10WPFPFK150	10WPFPFK150MBK	10WPFPFK150BRG
Side panel fixing kit	10WPSPFK	10WPSPFKMBK	10WPSPFKBRG
Angled stabilising bar (300mm)	10WPGW30	10WPGW30MBK	10WPGW30BRG
Fixing Kit (2000mm)	10PVCFK	10PVCFKMBK	10PVCFKBRG
Wall post	10WPK	10WPKMBK	10WPKBRG

**Please add the following codes to your product code when ordering a colour option:

Brushed Nickel (BRN), Polished Gold (PG), Polished Bronze (PB), Brushed Bronze (BRB), Gun Metal (GM) and White (WH). All are special order items, please allow 8 weeks

PREMIUM COLLECTION

ultimate10

off wall recess shower enclosures



Scan The QR Code
To See The Configurations Guide

Versatility is key, our unique system means that the ultimate10 door can be configured to pivot either directly from the wall post or from a glass panel and can be installed to fit either on a shower tray or wet-room floor.

The ultimate10 off wall recess door is available in two sizes, 600mm or 800mm, and can be used alongside ultimate 10mm wet room panels to create stunning enclosures.

Chrome pivot off panel recess enclosure with front panel fixing kit



Features

- + 10mm toughened safety glass
- + 1985mm tall (inc. fixings)
- + Award winning in/out hinge mechanism
- + Frameless design
- + Available in 9 colour finishes
- + Made in Britain
- + Lifetime guarantee
- + Integrated towel rail
- + Compatible with ultimate 10mm wet-room panels
- + Lifeshield Protection for easy cleaning
- + Can be installed either left or right handed

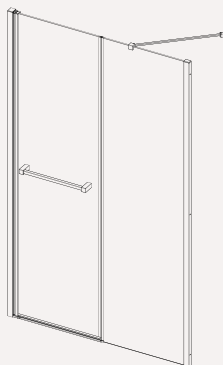
The bathroom of your dreams

Create the bathroom of your dreams, the ultimate10 enclosure is available in 9 colour finishes and can be configured to suit the space you have available.

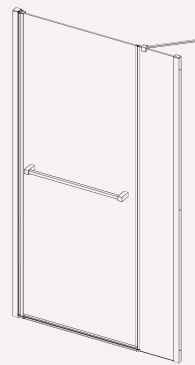


Chrome wall to glass fixing kit

Recommended Configurations



Recess configuration (600mm Door)



Recess configuration (800mm Door)

Door Options

Door Sizes	Chrome Product Code	Matt Black Product Code	Brushed Brass Product Code
600mm Off Wall Pivot Door	10PVW	10PVWMBK	10PVWBRG
800mm Off Wall Pivot Door	10PVW2	10PVW2MBK	10PVW2BRG

Glass Panel Options

*Panel Sizes	Product Code	*Panel Sizes	Product Code
200mm Glass Panel	10WP200	800mm Glass Panel	10WP800
300mm Glass Panel	10WP300	900mm Glass Panel	10WP900
400mm Glass Panel	10WP400	1000mm Glass Panel	10WP1000
500mm Glass Panel	10WP500	1100mm Glass Panel	10WP1100
600mm Glass Panel	10WP600	1200mm Glass Panel	10WP1200
700mm Glass Panel	10WP700	1400mm Glass Panel	10WP1400
760mm Glass Panel	10WP760		

*Sizes shown are nominal. All panels are undersized by 45mm to allow for tiling when fitting to shower trays.

**Stabilising Bars & Wall Posts

Product	Chrome Product Code	Matt Black Product Code	Brushed Brass Product Code
Front panel fixing kit (1000mm)	10WPFPFK	10WPFPFKMBK	10WPFPFKBRG
Front panel fixing kit (1500mm)	10WPFPFK150	10WPFPFK150MBK	10WPFPFK150BRG
Side panel fixing kit	10WSPPFK	10WSPPFKMBK	10WSPPFKBRG
Angled stabilising bar (300mm)	10WPGW30	10WPGW30MBK	10WPGW30BRG
Wall post	10WPK	10WPKMBK	10WPKBRG

**Please add the following codes to your product code when ordering a colour option:

Brushed Nickel (BRN), Polished Gold (PG), Polished Bronze (PB), Brushed Bronze (BRB), Gun Metal (GM) and White (WH). All are special order items, please allow 8 weeks

PREMIUM COLLECTION

ultimate10

off panel corner shower enclosures

The Red Dot award winning ultimate10 door is designed to be able to hinge directly from a glass panel (as well as a wall post), This stunning 600mm door is available in a number of colour finishes and can be used to create either a recess or corner enclosure to meet your requirements.



Scan The QR Code
To See The Configurations Guide

Matt black pivot off panel corner enclosure



Features

- + 10mm toughened safety glass
- + 1985mm tall (inc. fixings)
- + Award winning in/out hinge mechanism
- + Frameless design
- + Available in 9 colour finishes
- + Made in Britain
- + Lifetime guarantee
- + Integrated towel rail
- + Compatible with ultimate 10mm wet-room panels
- + Lifeshield Protection for easy cleaning
- + Can be installed either left or right handed

Versatility is key

Our unique system means that the door can be configured to pivot either directly from the wall post or from a glass panel and can be installed to fit either on a shower tray or a wet room floor.



Matt black pivot off panel corner enclosure

Recommended Configurations



Corner configuration (600mm Door)

Door Options

Door Sizes	Chrome Product Code	Matt Black Product Code	Brushed Brass Product Code
600mm Off Panel Pivot Door	10PVP	10PVPMBK	10PVPBRG

Glass Panel Options

*Panel Sizes	Product Code	*Panel Sizes	Product Code
200mm Glass Panel	10WP200	800mm Glass Panel	10WP800
300mm Glass Panel	10WP300	900mm Glass Panel	10WP900
400mm Glass Panel	10WP400	1000mm Glass Panel	10WP1000
500mm Glass Panel	10WP500	1100mm Glass Panel	10WP1100
600mm Glass Panel	10WP600	1200mm Glass Panel	10WP1200
700mm Glass Panel	10WP700	1400mm Glass Panel	10WP1400
760mm Glass Panel	10WP760		

*Sizes shown are nominal. All panels are undersized by 45mm to allow for tiling when fitting to shower trays.

**Stabilising Bars & Wall Posts

Product	Chrome Product Code	Matt Black Product Code	Brushed Brass Product Code
Front panel fixing kit (1000mm)	10WPFPFK	10WPFPFKMBK	10WPFPFKBRG
Front panel fixing kit (1500mm)	10WPFPFK150	10WPFPFK150MBK	10WPFPFK150BRG
Side panel fixing kit	10WPSPFK	10WPSPFKMBK	10WPSPFKBRG
Fixing Kit (2000mm)	10PVCFK	10PVCFKMBK	10PVCFKBRG
Wall post	10WPK	10WPKMBK	10WPKBRG

**Please add the following codes to your product code when ordering a colour option:

Brushed Nickel (BRN), Polished Gold (PG), Polished Bronze (PB), Brushed Bronze (BRB), Gun Metal (GM) and White (WH). All are special order items, please allow 8 weeks

PREMIUM COLLECTION

ultimate10

off panel recess shower enclosures

The Red Dot award winning ultimate10 door is designed to be able to hinge directly from a glass panel (as well as a wall post), This stunning 600mm door is available in a number of colour finishes and can be used to create either a recess or corner enclosure to meet your requirements.



Scan The QR Code
To See The Configurations Guide

Matt black pivot off panel recess enclosure



Features

- + 10mm toughened safety glass
- + 1985mm tall (inc. fixings)
- + Award winning in/out hinge mechanism
- + Frameless design
- + Available in 9 colour finishes
- + Made in Britain
- + Lifetime guarantee
- + Integrated towel rail
- + Compatible with ultimate 10mm wet-room panels
- + Lifeshield Protection for easy cleaning
- + Can be installed either left or right handed

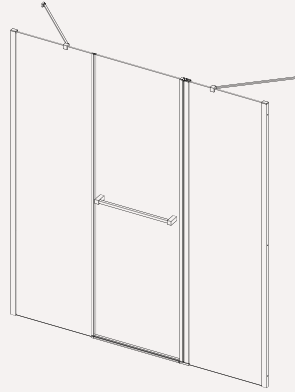
A complete design lead approach

Fully frameless design and slim aluminium profiles come together to form a clean, contemporary shower enclosure collection that suits all environments.



Matt black angled fixing kit

Recommended Configurations



Recess configuration (600mm Door)

Door Options

Door Sizes	Chrome Product Code	Matt Black Product Code	Brushed Brass Product Code
600mm Off Panel Pivot Door	10PVPR	10PVPRMBK	10PVPRBRG

Glass Panel Options

*Panel Sizes	Product Code	*Panel Sizes	Product Code
200mm Glass Panel	10WP200	800mm Glass Panel	10WP800
300mm Glass Panel	10WP300	900mm Glass Panel	10WP900
400mm Glass Panel	10WP400	1000mm Glass Panel	10WP1000
500mm Glass Panel	10WP500	1100mm Glass Panel	10WP1100
600mm Glass Panel	10WP600	1200mm Glass Panel	10WP1200
700mm Glass Panel	10WP700	1400mm Glass Panel	10WP1400
760mm Glass Panel	10WP760		

*Sizes shown are nominal. All panels are undersized by 45mm to allow for tiling when fitting to shower trays.

**Stabilising Bars & Wall Posts

Product	Chrome Product Code	Matt Black Product Code	Brushed Brass Product Code
Front panel fixing kit (1000mm)	10WPFPFK	10WPFPFKMBK	10WPFPFKBRG
Front panel fixing kit (1500mm)	10WPFPFK150	10WPFPFK150MBK	10WPFPFK150BRG
Side panel fixing kit	10WSPPFK	10WSPPFKMBK	10WSPPFKBRG
Angled stabilising bar (500mm)	10WPGW50	10WPGW50MBK	10WPGW50BRG
Wall post	10WPK	10WPKMBK	10WPKBRG

**Please add the following codes to your product code when ordering a colour option:

Brushed Nickel (BRN), Polished Gold (PG), Polished Bronze (PB), Brushed Bronze (BRB), Gun Metal (GM) and White (WH). All are special order items, please allow 8 weeks

PREMIUM COLLECTION

ultimate10

Off panel 3 sided shower enclosures

Do you want a real statement piece, a show-stopping shower enclosure but you don't want to have it tucked away in a corner? Then a three sided, luxurious, enclosure is perfect for you. The ultimate10mm enclosure door's unique design means that it can be hung so that it pivots directly from a glass panel, meaning that it can be used to create the three sided enclosure of your dreams.



Scan The QR Code
To See The Configurations Guide

Brushed gold pivot off panel 3 sided enclosure with 2m fixing kit



Features

- + 10mm toughened safety glass
- + 1985mm tall (inc. fixings)
- + Award winning in/out hinge mechanism
- + Frameless design
- + Available in 9 colour finishes
- + Made in Britain
- + Lifetime guarantee
- + Integrated towel rail
- + Compatible with ultimate 10mm wet-room panels
- + Lifeshield Protection for easy cleaning
- + Can be installed either left or right handed

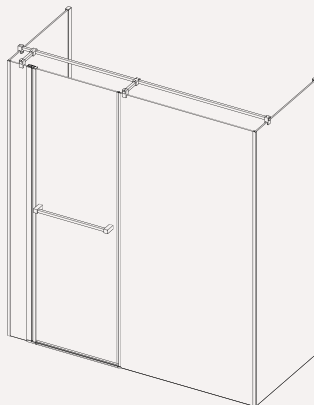
A truly modular system

As with ultimate wet room panels and ultimate10 over bath screens, the ultimate10 range of enclosures is truly modular and allows you to create the enclosure that is perfect for your bathroom.



Brushed brass parallel fixing kit

Recommended Configurations



3 sided configuration (600mm Door)

Door Options

Door Sizes	Chrome Product Code	Matt Black Product Code	Brushed Brass Product Code
600mm Off Panel Pivot Door	10PVPR	10PVPRMBK	10PVPRBRG

Glass Panel Options

*Panel Sizes	Product Code	*Panel Sizes	Product Code
200mm Glass Panel	10WP200	800mm Glass Panel	10WP800
300mm Glass Panel	10WP300	900mm Glass Panel	10WP900
400mm Glass Panel	10WP400	1000mm Glass Panel	10WP1000
500mm Glass Panel	10WP500	1100mm Glass Panel	10WP1100
600mm Glass Panel	10WP600	1200mm Glass Panel	10WP1200
700mm Glass Panel	10WP700	1400mm Glass Panel	10WP1400
760mm Glass Panel	10WP760		

*Sizes shown are nominal. All panels are undersized by 45mm to allow for tiling when fitting to shower trays.

**Stabilising Bars & Wall Posts

Products	Chrome Product Code	Matt Black Product Code	Brushed Brass Product Code
Front panel fixing kit (1000mm)	10WPFPFK	10WPFPFKMBK	10WPFPFKBRG
Front panel fixing kit (1500mm)	10WPFPFK150	10WPFPFK150MBK	10WPFPFK150BRG
Side panel fixing kit	10WPSPFK	10WPSPFKMBK	10WPSPFKBRG
Fixing Kit (2000mm)	10PVCFK	10PVCFKMBK	10PVCFKBRG
Wall post	10WPK	10WPKMBK	10WPKBRG

**Please add the following codes to your product code when ordering a colour option:

Brushed Nickel (BRN), Polished Gold (PG), Polished Bronze (PB), Brushed Bronze (BRB), Gun Metal (GM) and White (WH). All are special order items, please allow 8 weeks

PREMIUM COLLECTION

ultimate¹⁰

Colour finishes

For maximum stability we recommend using our fixing kits, available in 3 lengths (2000mm, 1500mm and 1000mm) these kits can be used as illustrated below to ensure the stability of your enclosure.

All of our fixing kits are trimmable meaning that they can be tailored to fit your chosen enclosure.

Colour Finishes



Please add the following codes to your product code when ordering a colour option:

Matt Black (**MBK**), Brushed Brass (**BRG**), *Brushed Nickel (**BRN**), *Polished Gold (**PG**), *Polished Bronze (**PB**), *Brushed Bronze (**BRB**), *Gun Metal (**GM**) and *White (**WH**).

*All are special order items, please allow 8 weeks



Scan The QR Code
To See The Configurations Guide

Fixing Kits



Wall to glass fixing kit



Angled fixing kit



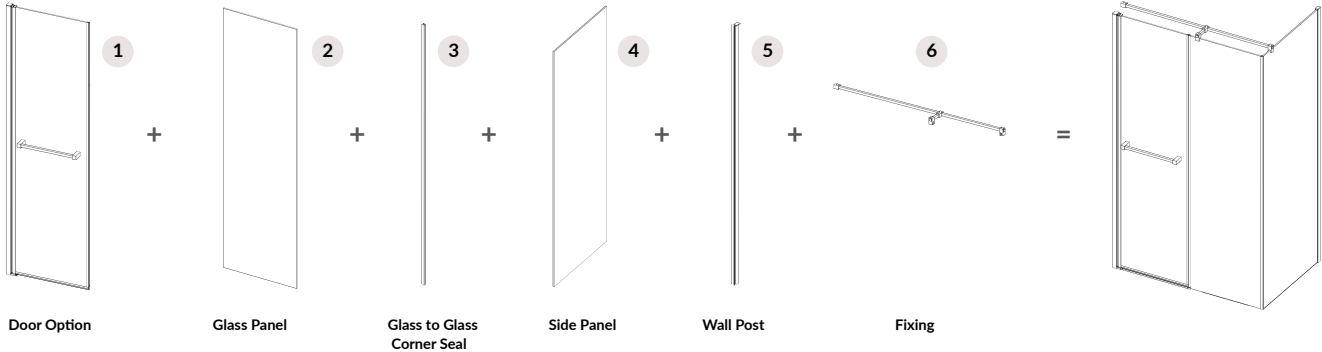
Parallel fixing kit

PREMIUM COLLECTION

ultimate**10**

Configurations Guides

Corner Off Wall Enclosures (600mm Door)



Product Codes & Descriptions		Ultimate Enclosure Sizes											
		800mm	900mm	1000mm	1100mm	1200mm	1300mm	1400mm	1500mm	1600mm	1700mm	1800mm	2000mm
*Product Code	Door Options												
10PVVW	**600mm Off Wall Pivot Door	X1	X1	X1	X1	X1	X1	X1	X1	X1	X1	X1	X1
Product Code	Glass Panel Sizes												
10WP200	200mm Glass Panel	X1											
10WP300	300mm Glass Panel		X1										
10WP400	400mm Glass Panel			X1									
10WP500	500mm Glass Panel				X1								
10WP600	600mm Glass Panel					X1							
10WP700	700mm Glass Panel						X1						
10WP760	760mm Glass Panel												
10WP800	800mm Glass Panel							X1					
10WP900	900mm Glass Panel								X1				
10WP1000	1000mm Glass Panel									X1			
10WP1100	1100mm Glass Panel										X1		
10WP1200	1200mm Glass Panel											X1	
10WP1400	1400mm Glass Panel												X1
*Product Code	Fixings												
10WPFPFK	Front panel fixing kit (1000mm)	X1	X1	X1									
10WPFPFK150	Front panel fixing kit (1500mm)				X1	X1	X1	X1	X1				
10WPSPFK	Side panel fixing kit	X1	X1	X1	X1	X1	X1	X1	X1				
10WPGW30	Angled stabilising bar (300mm)												
10WPGW50	Angled stabilising bar (500mm)												
10PVCFK	Fixing Kit (2000mm)									X1	X1	X1	X1
10WPCS	Glass to Glass Corner Seal	X1	X1	X1	X1	X1	X1	X1	X1	X1	X1	X1	X1
10WPK	Wall Post	X1	X1	X1	X1	X1	X1	X1	X1	X1	X1	X1	X1

Side Panels

x1 Side Panel Required

Product Code	Side Panel
10WP700	700mm Side Panel
10WP760	760mm Side Panel
10WP800	800mm Side Panel
10WP900	900mm Side Panel
10WP1000	1000mm Side Panel
10WP1100	1100mm Side Panel
10WP1200	1200mm Side Panel

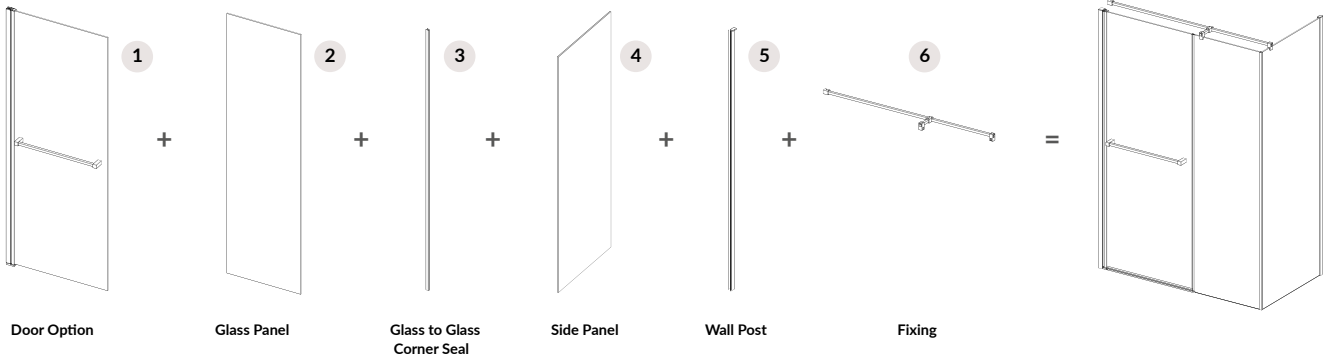
*Please add the following codes to your product code when ordering a colour option:

Brushed Nickel (BRN), Polished Gold (PG), Polished Bronze (PB), Brushed Bronze (BRB), Gun Metal (GM) and White (WH).

All are special order items, please allow 8 weeks

**Slimline wall post Included In the door pack

Corner Off Wall Enclosures (800mm Door)



Product Codes & Descriptions		Ultimate Enclosure Sizes											
		1000mm	1100mm	1200mm	1300mm	1400mm	1500mm	1600mm	1700mm	1800mm	1900mm	2000mm	
*Product Code	Door Options												
10PVW2	**800mm Off Wall Pivot Door	X1	X1	X1	X1	X1	X1	X1	X1	X1	X1	X1	
Product Code	Glass Panel Sizes												
10WP200	200mm Glass Panel	X1											
10WP300	300mm Glass Panel		X1										
10WP400	400mm Glass Panel			X1									
10WP500	500mm Glass Panel				X1								
10WP600	600mm Glass Panel					X1							
10WP700	700mm Glass Panel						X1						
10WP760	760mm Glass Panel							X1					
10WP800	800mm Glass Panel								X1				
10WP900	900mm Glass Panel									X1			
10WP1000	1000mm Glass Panel										X1		
10WP1100	1100mm Glass Panel											X1	
10WP1200	1200mm Glass Panel												X1
10WP1400	1400mm Glass Panel												
*Product Code	Fixings												
10WPFPFK	Front panel fixing kit (1000mm)	X1											
10WPFPFK150	Front panel fixing kit (1500mm)		X1	X1	X1	X1	X1						
10WPSPFK	Side panel fixing kit	X1	X1	X1	X1	X1	X1						
10WPGW30	Angled stabilising bar (300mm)												
10WPGW50	Angled stabilising bar (500mm)												
10PVCFK	Fixing Kit (2000mm)							X1	X1	X1	X1	X1	
10WPCS	Glass to Glass Corner Seal	X1	X1	X1	X1	X1	X1	X1	X1	X1	X1	X1	
10WPK	Wall Post	X1	X1	X1	X1	X1	X1	X1	X1	X1	X1	X1	

Side Panels

x1 Side Panel Required

Product Code	Side Panel
10WP700	700mm Side Panel
10WP760	760mm Side Panel
10WP800	800mm Side Panel
10WP900	900mm Side Panel
10WP1000	1000mm Side Panel
10WP1100	1100mm Side Panel
10WP1200	1200mm Side Panel

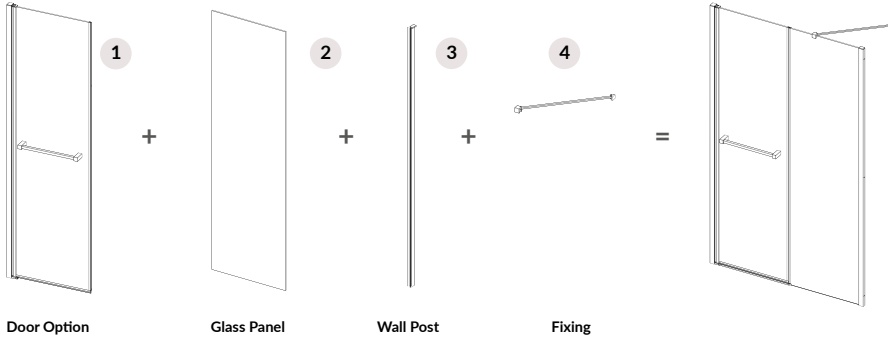
*Please add the following codes to your product code when ordering a colour option:

Brushed Nickel (BRN), Polished Gold (PG), Polished Bronze (PB), Brushed Bronze (BRB), Gun Metal (GM) and White (WH).

All are special order items, please allow 8 weeks

**Slimline wall post Included In the door pack

Recess Off Wall Enclosure (600mm Door)



Product Codes & Descriptions		Ultimate Enclosure Sizes											
		800mm	900mm	1000mm	1100mm	1200mm	1300mm	1400mm	1500mm	1600mm	1700mm	1800mm	2000mm
Product Code	Door Options												
10PVWR	**600mm Off Wall Pivot Door	X1	X1	X1	X1	X1	X1	X1	X1	X1	X1	X1	X1
Product Code	Glass Panel Sizes												
10WP200	200mm Glass Panel	X1											
10WP300	300mm Glass Panel		X1										
10WP400	400mm Glass Panel			X1									
10WP500	500mm Glass Panel				X1								
10WP600	600mm Glass Panel					X1							
10WP700	700mm Glass Panel						X1						
10WP760	760mm Glass Panel												
10WP800	800mm Glass Panel							X1					
10WP900	900mm Glass Panel								X1				
10WP1000	1000mm Glass Panel									X1			
10WP1100	1100mm Glass Panel										X1		
10WP1200	1200mm Glass Panel											X1	
10WP1400	1400mm Glass Panel												X1
Product Code	Fixings												
10WPFPFK	Front panel fixing kit (1000mm)												
10WPFPFK150	Front panel fixing kit (1500mm)												
10WPSPFK	Side panel fixing kit								X1	X1	X1	X1	X1
10WPGW30	Angled stabilising bar (300mm)	X1	X1										
10WPGW50	Angled stabilising bar (500mm)			X1	X1	X1	X1	X1					
10PVCFK	Fixing Kit (2000mm)												
10WPCS	Glass to Glass Corner Seal												
10WPK	Wall Post	X1	X1	X1	X1	X1	X1	X1	X1	X1	X1	X1	X1

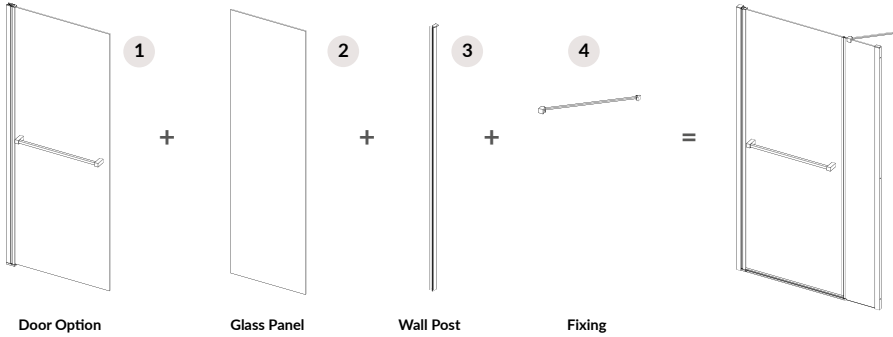
*Please add the following codes to your product code when ordering a colour option:

Brushed Nickel (BRN), Polished Gold (PG), Polished Bronze (PB), Brushed Bronze (BRB), Gun Metal (GM) and White (WH).

All are special order items, please allow 8 weeks

**Slimline wall post Included In the door pack

Recess Off Wall Enclosures (800mm Door)



Product Codes & Descriptions		Ultimate Enclosure Sizes											
		1000mm	1100mm	1200mm	1300mm	1400mm	1500mm	1600mm	1700mm	1800mm	1900mm	2000mm	
Product Code	Door Options												
10PVWR2	**800mm Off Wall Pivot Door	X1	X1	X1	X1	X1	X1	X1	X1	X1	X1	X1	X1
Product Code	Glass Panel Sizes												
10WP200	200mm Glass Panel	X1											
10WP300	300mm Glass Panel		X1										
10WP400	400mm Glass Panel			X1									
10WP500	500mm Glass Panel				X1								
10WP600	600mm Glass Panel					X1							
10WP700	700mm Glass Panel						X1						
10WP760	760mm Glass Panel												
10WP800	800mm Glass Panel							X1					
10WP900	900mm Glass Panel								X1				
10WP1000	1000mm Glass Panel									X1			
10WP1100	1100mm Glass Panel										X1		
10WP1200	1200mm Glass Panel											X1	
10WP1400	1400mm Glass Panel												X1
Product Code	Fixings												
10WPFPFK	Front panel fixing kit (1000mm)												
10WPFPFK150	Front panel fixing kit (1500mm)												
10WPSPFK	Side panel fixing kit							X1	X1	X1	X1	X1	
10WPGW30	Angled stabilising bar (300mm)	X1	X1										
10WPGW50	Angled stabilising bar (500mm)			X1	X1	X1	X1						
10PVCFK	Fixing Kit (2000mm)												
10WPCS	Glass to Glass Corner Seal												
10WPK	Wall Post	X1	X1	X1	X1	X1	X1	X1	X1	X1	X1	X1	X1

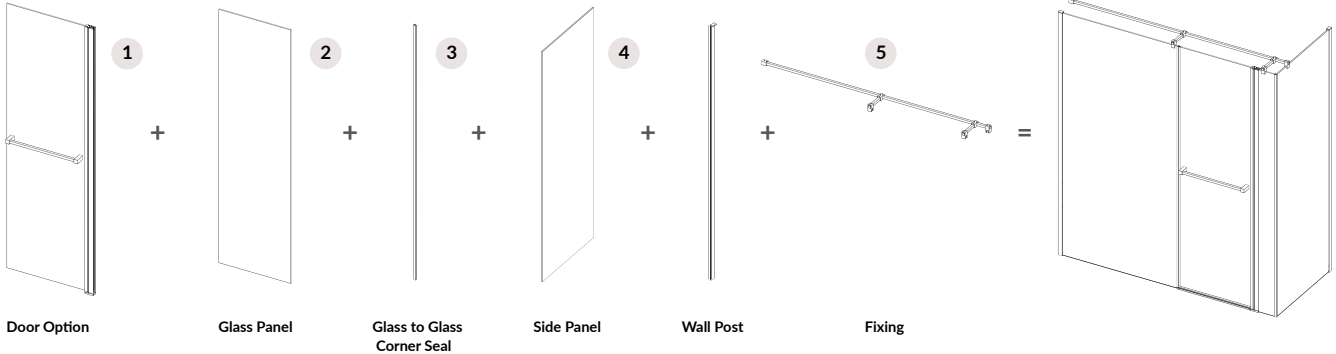
*Please add the following codes to your product code when ordering a colour option:

Brushed Nickel (BRN), Polished Gold (PG), Polished Bronze (PB), Brushed Bronze (BRB), Gun Metal (GM) and White (WH).

All are special order items, please allow 8 weeks

**Slimline wall post Included In the door pack

Corner Off Panel Enclosures



Product Codes & Descriptions		Ultimate Enclosure Sizes									
		1000mm	1200mm	1300mm	1400mm	1500mm	1600mm	1700mm	1800mm	1900mm	2000mm
*Product Code	Door Options										
10PVP	**600mm Off Panel Pivot Door	X1	X1	X1	X1	X1	X1	X1	X1	X1	X1
Product Code	Glass Panel Sizes										
10WP200	200mm Glass Panel	X2	X1	X1	X1	X1	X1	X1	X1	X1	X1
10WP300	300mm Glass Panel										
10WP400	400mm Glass Panel		X1								
10WP500	500mm Glass Panel			X1							
10WP600	600mm Glass Panel				X1						
10WP700	700mm Glass Panel					X1					
10WP760	760mm Glass Panel										
10WP800	800mm Glass Panel						X1				
10WP900	900mm Glass Panel							X1			
10WP1000	1000mm Glass Panel								X1		
10WP1100	1100mm Glass Panel									X1	
10WP1200	1200mm Glass Panel										X1
10WP1400	1400mm Glass Panel										
*Product Code	Fixings										
10WPFPFK	Front panel fixing kit (1000mm)										
10WPFPFK150	Front panel fixing kit (1500mm)										
10WPSPFK	Side panel fixing kit										
10WPGW30	Angled stabilising bar (300mm)										
10WPGW50	Angled stabilising bar (500mm)										
10PVCFK	Fixing Kit (2000mm)	X1	X1	X1	X1	X1	X1	X1	X1	X1	X1
10WPCS	Glass to Glass Corner Seal	X1	X1	X1	X1	X1	X1	X1	X1	X1	X1
10WPK	Wall Post	X1	X1	X1	X1	X1	X1	X1	X1	X1	X1

Side Panels

x1 Side Panel Required

Product Code	Side Panel
10WP700	700mm Side Panel
10WP760	760mm Side Panel
10WP800	800mm Side Panel
10WP900	900mm Side Panel
10WP1000	1000mm Side Panel
10WP1100	1100mm Side Panel
10WP1200	1200mm Side Panel

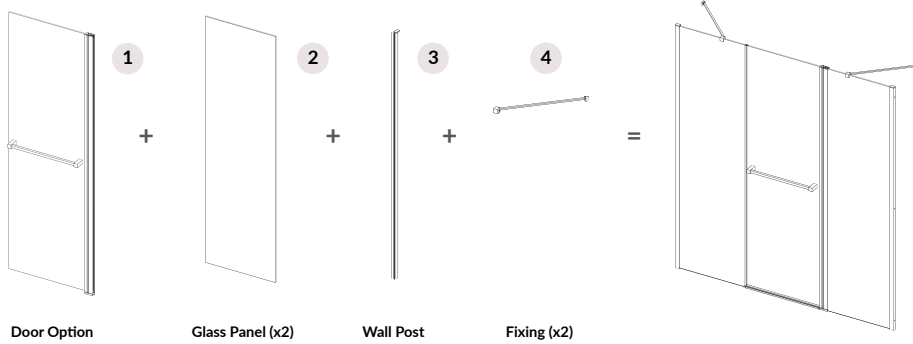
*Please add the following codes to your product code when ordering a colour option:

Brushed Nickel (BRN), Polished Gold (PG), Polished Bronze (PB), Brushed Bronze (BRB), Gun Metal (GM) and White (WH).

All are special order items, please allow 8 weeks

**Slimline wall post Included In the door pack

Recess Off Panel Enclosures



Product Codes & Descriptions		Ultimate Enclosure Sizes					
		1000mm	1200mm	1400mm	1600mm	1800mm	2000mm
*Product Code	Door Options						
10PVPR	**600mm Off Panel Pivot Door	X1	X1	X1	X1	X1	X1
Product Code	Glass Panel Sizes						
10WP200	200mm Glass Panel	X2					
10WP300	300mm Glass Panel		X2				
10WP400	400mm Glass Panel			X2			
10WP500	500mm Glass Panel				X2		
10WP600	600mm Glass Panel					X2	
10WP700	700mm Glass Panel						X2
10WP760	760mm Glass Panel						
10WP800	800mm Glass Panel						
10WP900	900mm Glass Panel						
10WP1000	1000mm Glass Panel						
10WP1100	1100mm Glass Panel						
10WP1200	1200mm Glass Panel						
10WP1400	1400mm Glass Panel						
*Product Code	Fixings						
10WPFPFK	Front panel fixing kit (1000mm)						
10WPFPFK150	Front panel fixing kit (1500mm)						
10WPSPFK	Side panel fixing kit						
10WPGW30	Angled stabilising bar (300mm)	X2					
10WPGW50	Angled stabilising bar (500mm)		X2	X2	X2	X2	X2
10PVCFK	Fixing Kit (2000mm)						
10WPCS	Glass to Glass Corner Seal						
10WPK	Wall Post	X1	X1	X1	X1	X1	X1

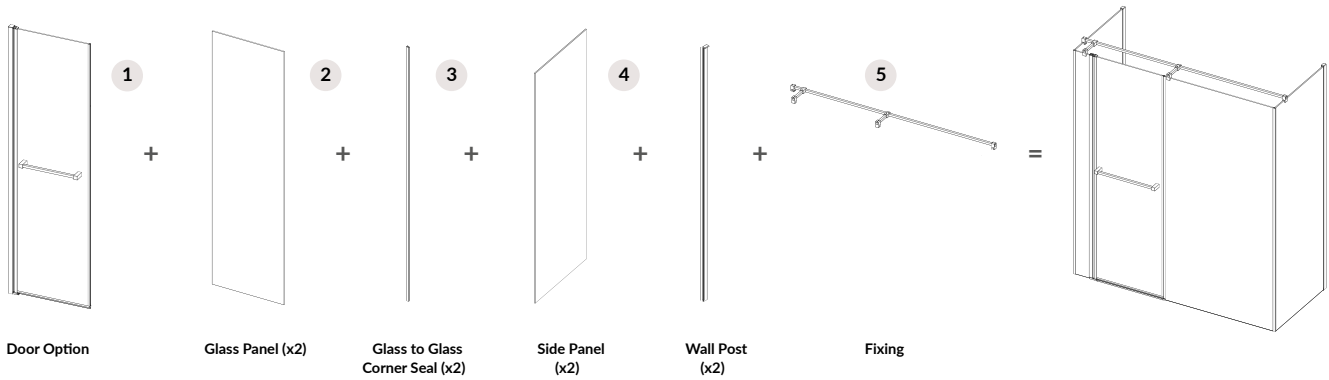
*Please add the following codes to your product code when ordering a colour option:

Brushed Nickel (**BRN**), Polished Gold (**PG**),
Polished Bronze (**PB**), Brushed Bronze (**BRB**),
Gun Metal (**GM**) and White (**WH**).

All are special order items, please allow 8 weeks

**Slimline wall post Included In the door pack

3 Sided Enclosures



Product Codes & Descriptions		Ultimate Enclosure Sizes									
		1000mm	1200mm	1300mm	1400mm	1500mm	1600mm	1700mm	1800mm	1900mm	2000mm
*Product Code	Door Options										
10PVP	**600mm Off Panel Pivot Door	X1	X1	X1	X1	X1	X1	X1	X1	X1	X1
Product Code	Glass Panel Sizes										
10WP200	200mm Glass Panel	X2	X1	X1	X1	X1	X1	X1	X1	X1	X1
10WP300	300mm Glass Panel										
10WP400	400mm Glass Panel		X1								
10WP500	500mm Glass Panel			X1							
10WP600	600mm Glass Panel				X1						
10WP700	700mm Glass Panel					X1					
10WP760	760mm Glass Panel										
10WP800	800mm Glass Panel						X1				
10WP900	900mm Glass Panel							X1			
10WP1000	1000mm Glass Panel								X1		
10WP1100	1100mm Glass Panel									X1	
10WP1200	1200mm Glass Panel										X1
10WP1400	1400mm Glass Panel										
*Product Code	Fixings										
10WPFPFK	Front panel fixing kit (1000mm)										
10WPFPFK150	Front panel fixing kit (1500mm)										
10WPSPFK	Side panel fixing kit										
10WPGW30	Angled stabilising bar (300mm)										
10WPGW50	Angled stabilising bar (500mm)										
10PVCFK	Fixing Kit (2000mm)	X1	X1	X1	X1	X1	X1	X1	X1	X1	X1
10WPCS	Glass to Glass Corner Seal	X2	X2	X2	X2	X2	X2	X2	X2	X2	X2
10WPK	Wall Post	X2	X2	X2	X2	X2	X2	X2	X2	X2	X2

Side Panels

x2 Side Panel Required

Product Code	Side Panel
10WP700	700mm Side Panel
10WP760	760mm Side Panel
10WP800	800mm Side Panel
10WP900	900mm Side Panel
10WP1000	1000mm Side Panel
10WP1100	1100mm Side Panel
10WP1200	1200mm Side Panel

*Please add the following codes to your product code when ordering a colour option:

Brushed Nickel (BRN), Polished Gold (PG), Polished Bronze (PB), Brushed Bronze (BRB), Gun Metal (GM) and White (WH).

All are special order items, please allow 8 weeks

**Slimline wall post Included In the door pack

Kudos Shower Products Ltd

Elmsfield Park, Holme

Cumbria LA6 1RJ

United Kingdom

Telephone: +44 (0)1539 564040

Fax: +44 (0)1539 564141

Email: sales@kudosshowers.co.uk

www.kudosshowers.co.uk